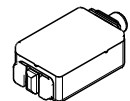
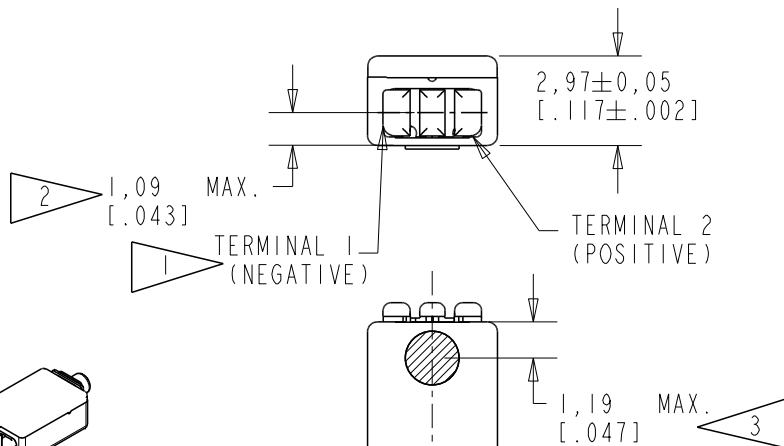
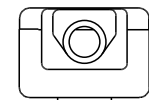
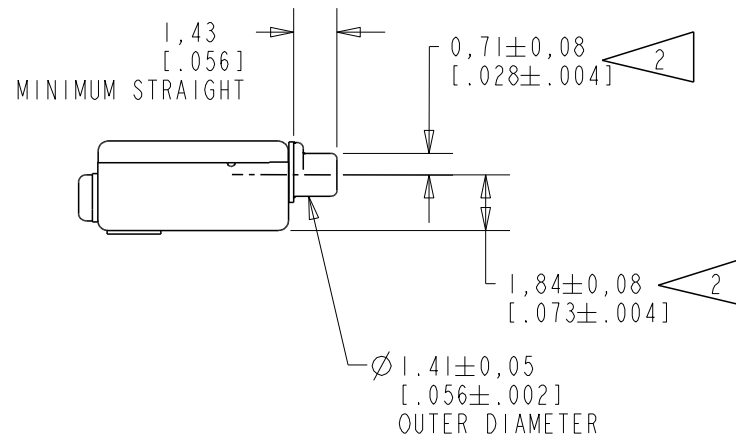
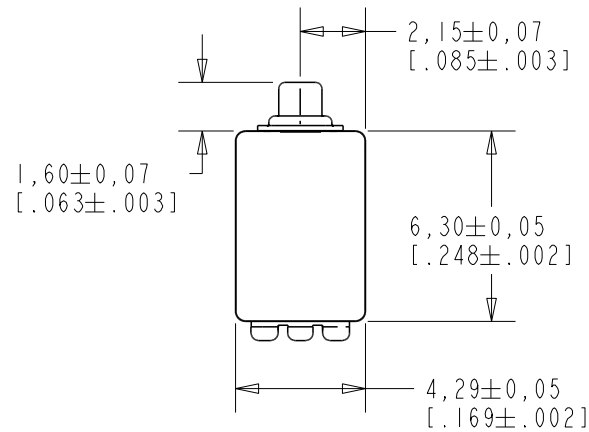


ED-33357-000

SHT 1.1

NOTE:

- 1 A POSITIVE GOING VOLTAGE AT TERMINAL 2, RELATIVE TO TERMINAL 1, CAUSES A DECREASE IN PRESSURE AT THE SOUND OUTLET.
- 2 LOCATED FROM TWO SURFACES FOR CUSTOMER CONVENIENCE. ONLY APPLICABLE FROM ONE SURFACE, NOT TO BE USED TOGETHER. HORIZONTAL LOCATION FOR TERMINAL CENTERED TO $\pm 0,17$ [0.007].
- 3 IT IS IMPORTANT TO KEEP HOLE CLEAN AND CLEAR AT ALL TIMES. CLOGGING THE HOLE WILL CAUSE PERFORMANCE CHANGES.



SCALE 2:1

NOMINAL WEIGHT
.31 GRAM

DIMENSIONS IN MILLIMETERS [INCHES]

Revision	C.O. #	Implementation Date	RELEASE LEVEL	REVISION
A	PI0001429	8-28-17	Active	A

SCALE: 4:1

DO NOT SCALE DRAWING

TITLE: RECEIVER
OUTLINE DRAWING

ED-33357-000
SHT 1.1

DR. BY	DATE
NANC	8-28-17
CK. BY	DATE
GJP	8-28-17
APP. BY	DATE
GJP	8-28-17

KNOWLES CORPORATION

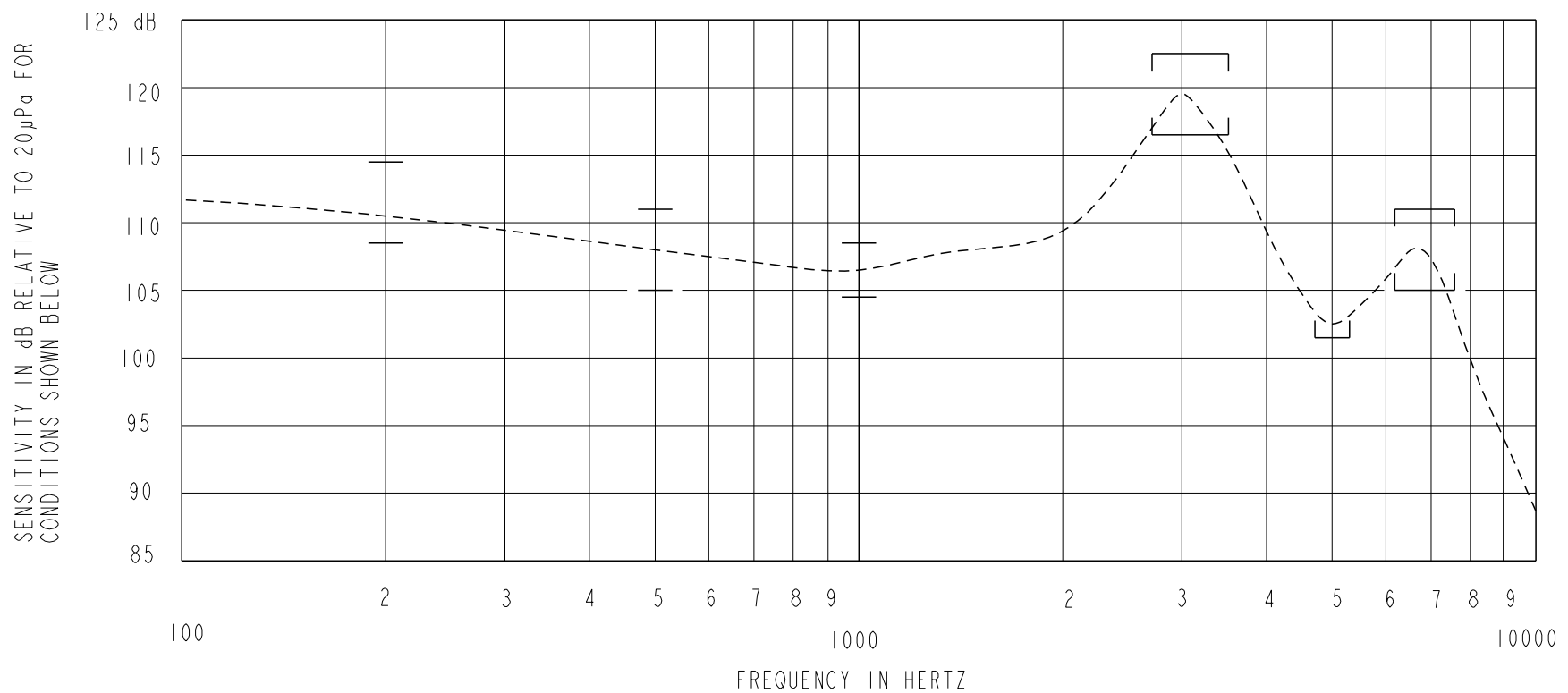
DESCRIPTION

THE ED-33357-000 IS A RESISTIVE VENTED RECEIVER WITH CUSTOMIZED TESTING.

NO DAMPING

ED-33357-000

SHEET 2.1



ACOUSTICAL

SENSITIVITY
 DEVICE WILL PRODUCE THE SPL LISTED BELOW UNDER TEST CONDITIONS DESCRIBED IN TABLE 3.
 NOMINAL SENSITIVITY AT 1kHz IS dB RELATIVE TO 20µPa. ALL OTHER VALUES
 IN dB RELATIVE TO THE SENSITIVITY AT 1kHz. TEST DATA MEASURED WITH VENT OPEN.

FREQUENCY (Hz)	MINIMUM	NOMINAL	MAXIMUM
200	+2.0	+4.0	+8.0
500	-1.5	+1.5	+4.5
1000	-2.0	106.5	+2.0
2750-3550	+10.0	+13.0	+16.0
5000	-5.0	---	---
6200-7600	-1.5	+1.5	+4.5

PORT LOCATION: 12N

BUZZ TEST

LISTENING TEST CONDUCTED BETWEEN 50Hz TO 5kHz TO DETECT BUZZ.

INPUT VOLTAGE DRIVE SIGNAL	.146V
----------------------------	-------

TABLE 1

TOTAL HARMONIC DISTORTION
 DEVICE WILL NOT EXCEED TOTAL HARMONIC DISTORTION LEVELS LISTED BELOW.

FREQUENCY (Hz)	AC DRIVE (V rms)	DC BIAS (mA)	LIMIT (%)
500	0.124	0	10
1000	0.044	0	5
1500	0.044	0	5

TABLE 2

TEST CONDITIONS

NOMINAL SOURCE VOLTAGE	0.044 V rms, 0mA DC BIAS
SOURCE IMPEDANCE	<1 Ohm
TUBING	1.76mm LONG X 1mm ID.
COUPLER CAVITY	IEC 60318-4(IEC 711)

TABLE 3

ELECTRICAL

NOMINAL SOURCE VOLTAGE	0.044 V rms, 0mA DC BIAS
DC RESISTANCE	3.4 OHMS ± 10%
IMPEDANCE @ 500 Hz	5.1 OHMS ± 20%
IMPEDANCE @ 1 kHz	8.0 OHMS ± 20%

TABLE 4

ISOLATION: CASE WILL BE ELECTRICALLY ISOLATED FROM THE COIL CIRCUIT.

Revision	C.O. #	Implementation Date	RELEASE LEVEL	REVISION
			Active	A
A	PI0001429	8-28-17		
WHEN TEST LIMITS ARE USED TO ESTABLISH INCOMING INSPECTION ACCEPTANCE/REJECTION CRITERIA, CORRELATION OF TEST EQUIPMENT WITH KNOWLES IS ALSO REQUIRED FOR ELIMINATION OF EQUIPMENT AND TEST METHOD VARIATION				
TITLE: RECEIVER			ED-33357-000	DR. BY DATE NANC 8-28-17
PERFORMANCE SPECIFICATION			SHT 2.1	CK. BY DATE GJP 8-28-17
				APP. BY DATE GJP 8-28-17

KNOWLES CORPORATION